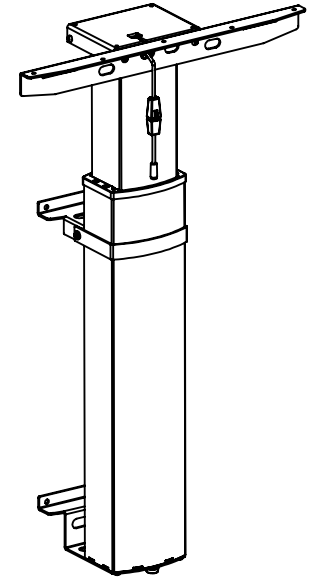
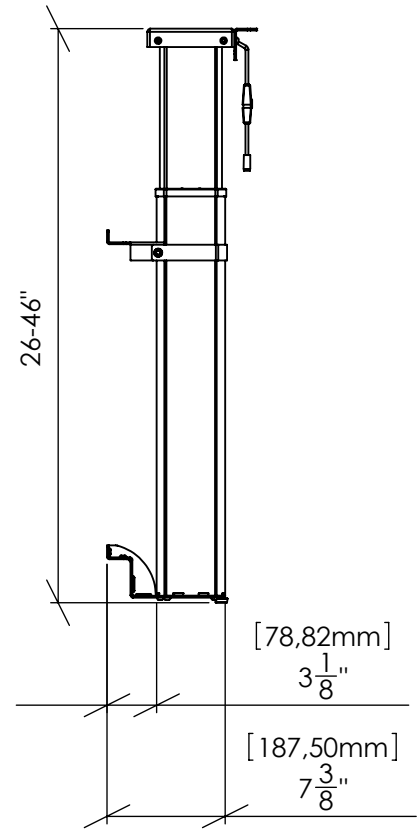
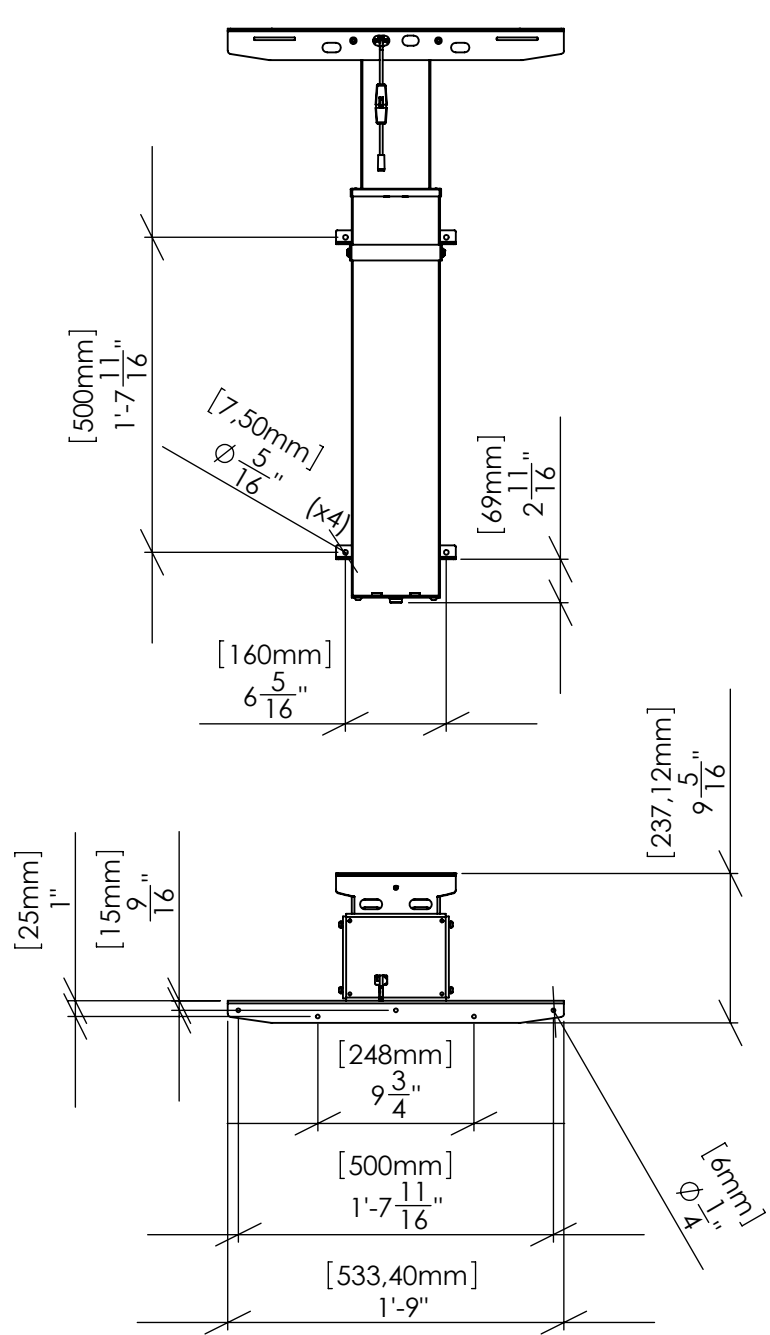
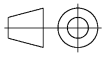


DO NOT SCALE DRAWING		SHEET 1 OF 9				<b>ConSet A/S</b> <small>Staalvej 14-16 DK-6900 Skjern Denmark</small>	
UNLESS OTHERWISE SPECIFIED: DIMENSIONS ARE IN MILLIMETERS TOLERANCES: LINEAR: According to ANGULAR: DIN 7168-m		NAME	DATE	TITLE:			
DRAWN		KDJ	20-10-2022	501-19/23 Wall mounted			
CHECKED							
PROPRIETARY AND CONFIDENTIAL THE INFORMATION CONTAINED IN THIS DRAWING IS THE SOLE PROPERTY OF CONSET A/S. ANY REPRODUCTION IN PART OR AS A WHOLE WITHOUT THE WRITTEN PERMISSION OF CONSET A/S IS PROHIBITED.		Processes:		assembly			
WEIGHT:				DWG NO.		REVISION	
				110610		5	



DO NOT SCALE DRAWING		SHEET 9 OF 9				<h1>ConSet A/S</h1>		Staalvej 14-16 DK-6900 Skjern Denmark					
UNLESS OTHERWISE SPECIFIED: DIMENSIONS ARE IN MILLIMETERS TOLERANCES: LINEAR: According to ANGULAR: DIN 7168-m		NAME		DATE		TITLE:							
		DRAWN		KDJ		20-10-2022		501-19/23 Wall mounted					
<b>PROPRIETARY AND CONFIDENTIAL</b> THE INFORMATION CONTAINED IN THIS DRAWING IS THE SOLE PROPERTY OF CONSET A/S. ANY REPRODUCTION IN PART OR AS A WHOLE WITHOUT THE WRITTEN PERMISSION OF CONSET A/S IS PROHIBITED.		CHECKED				Processes:						assembly	
		WEIGHT:						DWG NO.		110610		REVISION	